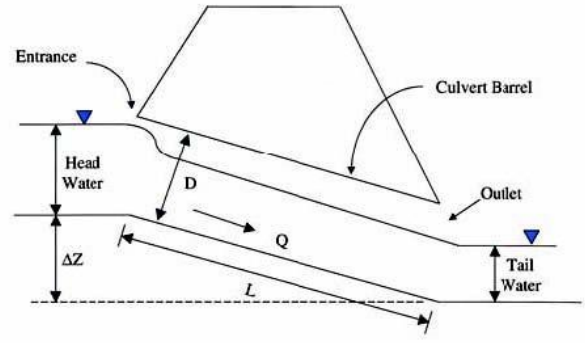
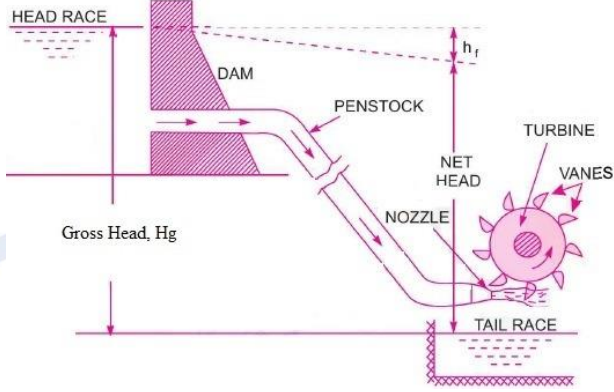


MICRO HYDROELECTRIC POWER PLANT



INFORMATION FORM

Tailwater Height (m)	
Water Temperature	
Net Head (m)	
Gross Head (m)	
Total Water Flow (m³/sn)	